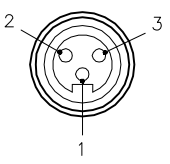
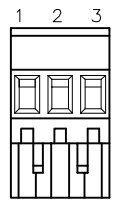
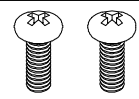
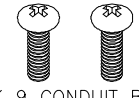
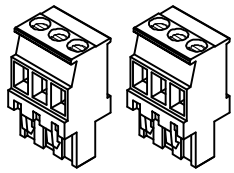
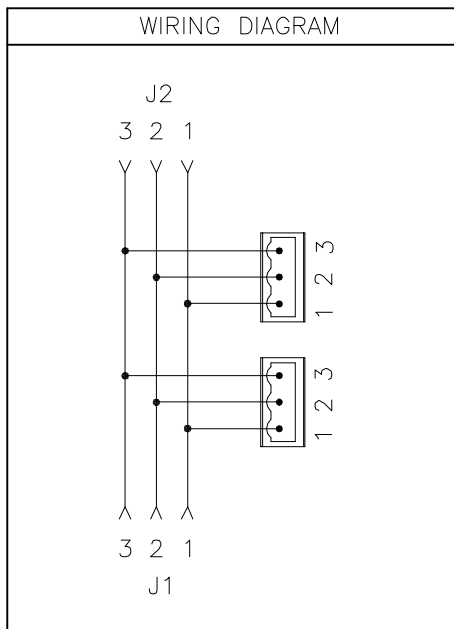
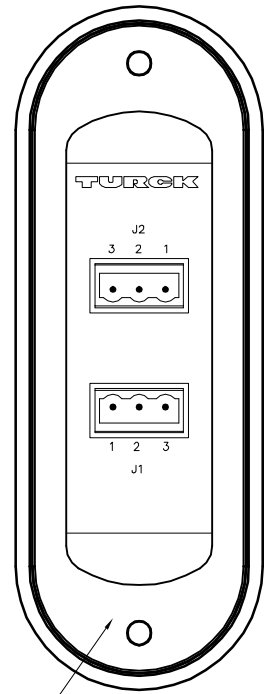
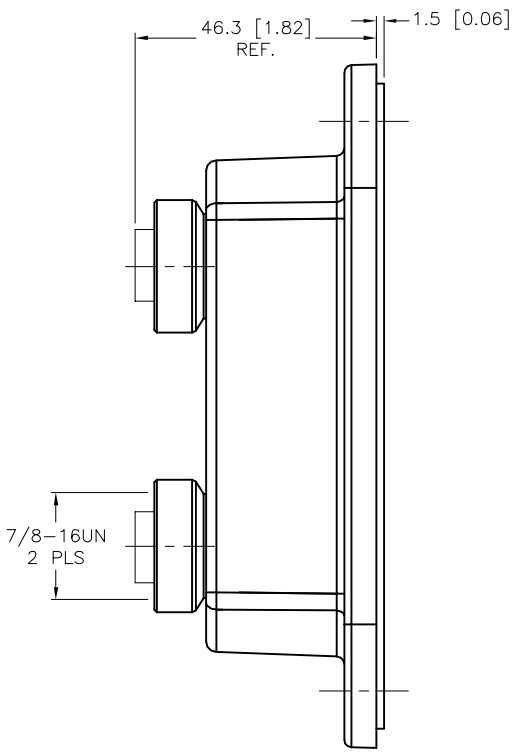
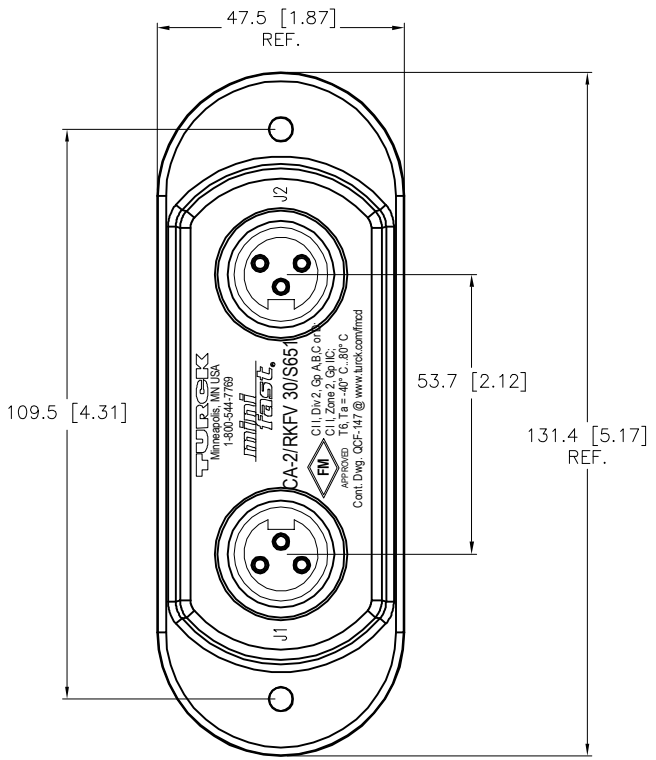
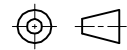


S1, S2 CONNECTORS	TERMINAL BLOCK PLUGS	COVER SCREWS INCLUDED	TERMINAL PLUGS INCLUDED	SPECIFICATIONS	
		 FORM 8 CONDUIT BODIES: 10-24 SCREWS  MARK 9 CONDUIT BODIES: 8-32 SCREWS		HOUSING MATERIAL/COLOR	NYLON 66 - 33% GLASS FILLED/BLACK
				RECEPTACLE HOUSING MATERIAL/PLATING	STAINLESS STEEL/PASSIVATED
				CONTACT CARRIERS/COLOR	TPU/BLACK
				CONTACT MATERIAL/PLATING	BRASS/GOLD
				OPERATING VOLTAGE	250 V
				OPERATING CURRENT	9.0 A PER CONDUCTOR
				PROTECTION CLASS to DIN 40050	IP 67 - ONLY WHEN ALL RECEPTACLES ARE COVERED WITH PLUGS OR CONNECTED
				OPERATING TEMPERATURE	-40°C to +70°C (-40°F to +158°F)



NOTES:
1. "/S651" DESIGNATES PARALLEL WIRING.

SOURCE DRAWING - FOR REFERENCE ONLY

RELATED DOCUMENTS 1. 2. 3. 4.	3RD ANGLE PROJECTION 	THIS DRAWING IS CONFIDENTIAL AND THE PROPERTY OF TURCK INC. USE OF THIS DOCUMENT WITHOUT WRITTEN PERMISSION IS PROHIBITED.		3000 CAMPUS DRIVE MINNEAPOLIS, MN 55441 1-800-544-7769 (763) 553-7300 (763) 553-0708 fax www.turck.us	
		DRFT DD	DATE 07/16/03	DESCRIPTION CA-2/RKFV 30/S651	
		APVD DD	SCALE 1=1.5		
		MATERIAL SEE SPECIFICATIONS		UNIT OF MEASUREMENT MILLIMETER [INCH]	
FINISH SEE SPECIFICATIONS		ALL DIMENSIONS DISPLAYED ON THIS DRAWING ARE FOR REFERENCE ONLY CONTACT TURCK FOR MORE INFORMATION		FILE: U0914-68	SHEET 1 OF 1



F	UPDATED CLICHE	AS	10/21/25	81451
REV	DESCRIPTION	BY	DATE	ECO NO.